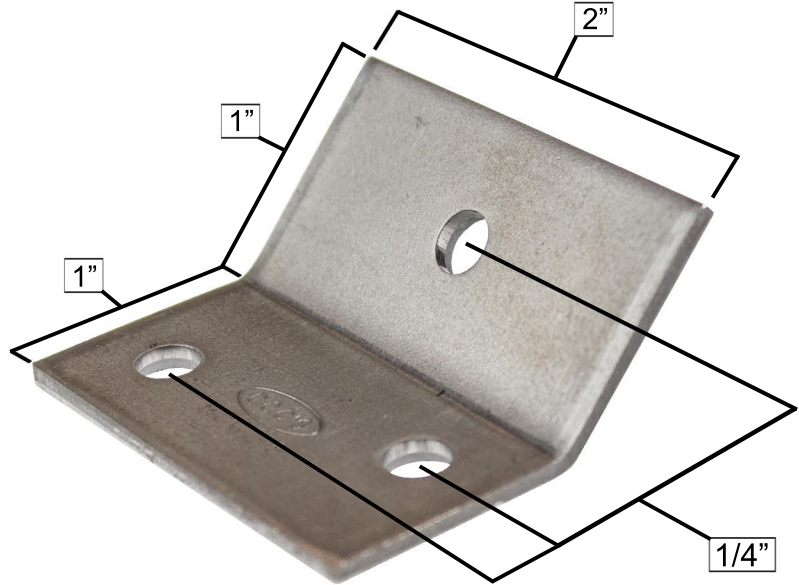


FRONT VIEW



REV	DESCRIPTION	DATE	APPROVAL

45 degree 3 hole 12 gauge general purpose angle clip. Product weight 0.12 lbs. each, packaged 500 pcs per box.

Material	Mild Carbon Steel
Finish	Electroplated Zinc

Release Approval:	Tolerances: .X = +/- 0.02in .XX = +/- 0.01in .XXX = +/- .005in Unless Otherwise Specified
Release Date:	
Customer Approval:	Proprietary Rights: All information that is contained within is proprietary. Not for unauthorized use or disclosure.



DOC'S INDUSTRIES, INC.

Title: 12 Gauge General Purpose 45 Degree Angle Clip with Three 1/4" Holes

Size: A	Scale: None	Part Number: HOCL-8	Rev: RO
Date: 8/31/2016		Drawn by RO X	
Drawing Number 01699 <		Sheet 1 of X	